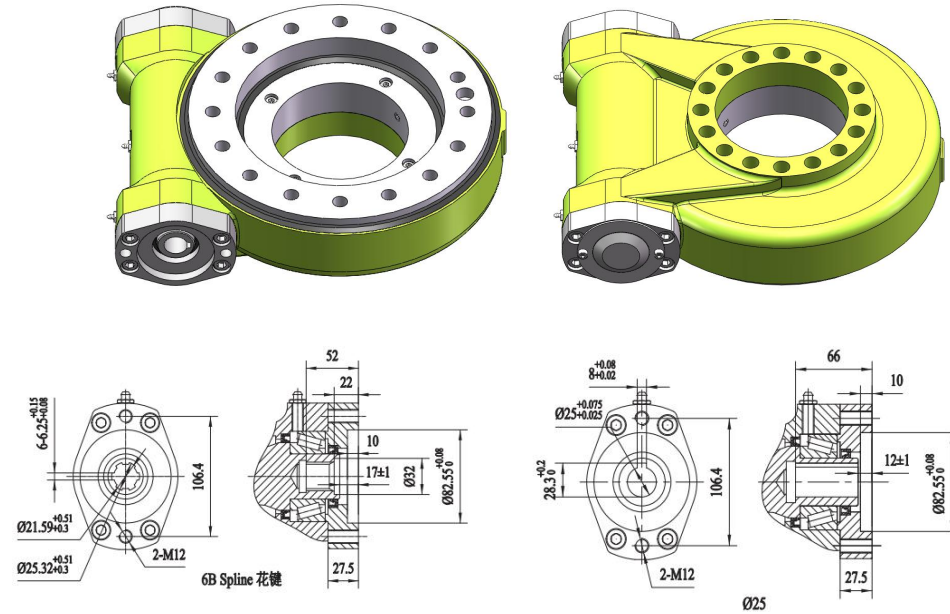
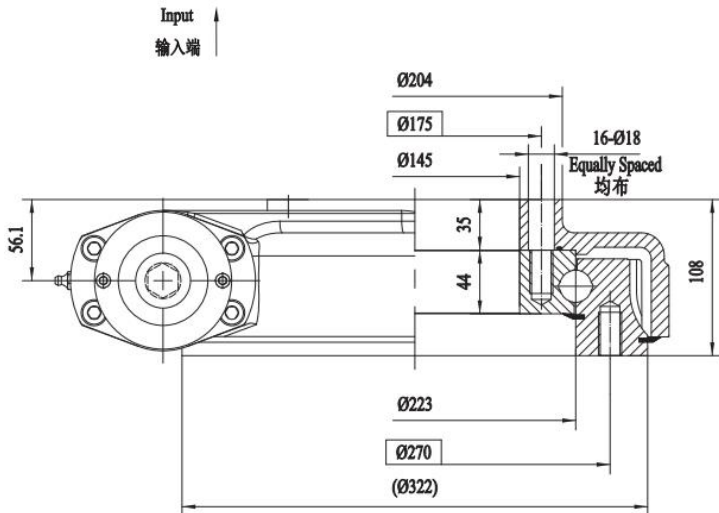
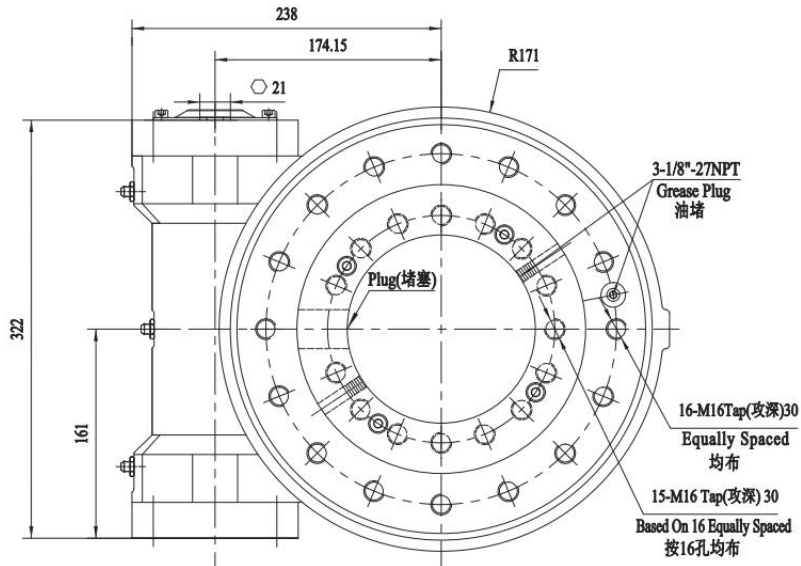


## SE9&PE9



项目/Item SE9&PE9	数值 Value	单位 Unit
输出转矩/Output Torque	6.5	kN.m
倾覆力矩/Tilting Moment Torque	33.9	kN.m
保持力矩/Holding Torque	38.7	kN.m
轴向静载荷/Static Axial Rating	338	kN
径向静载荷/Static Radial Rating	135	kN
轴向动载荷/Dynamic Axial Rating	81	kN
径向动载荷/Dynamic Radial Rating	71	kN
减速比/Gear Ratio	61:1	—
精度等级/Tracking Precision	≤0.17 ≤0.07/0.09	°
重量/Weight	49	kg

